

# Sash Balance Installation

## Type D4 and D6 - Standard

## Type AL - Assisted Lift

It is recommended that the sashes are glazed and painted to ensure both sashes slide freely in the frame.

### Preparation of Windows

**1** Grooves to house balances can be in either frame jambs or in sash stiles, rounded or square and must be of minimum dimensions shown (Figs 1 & 2).

Bottom of sashes should be prepared to suit balance foot attachment to be used. Cut-outs should be sufficient depth to receive attachments and screw heads.

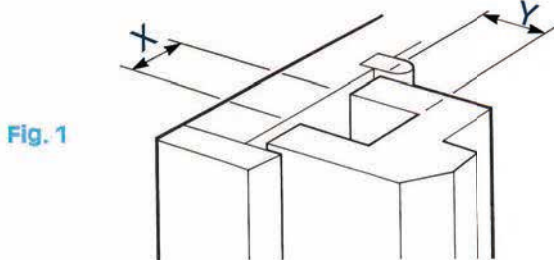


Fig. 1

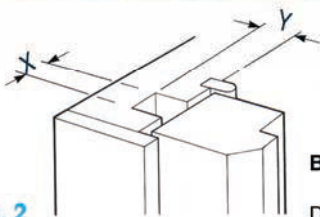
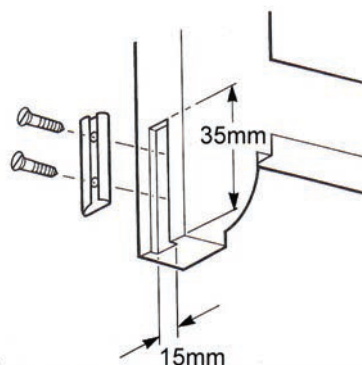
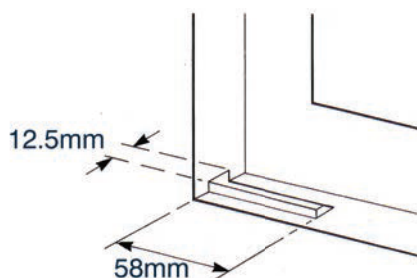


Fig. 2

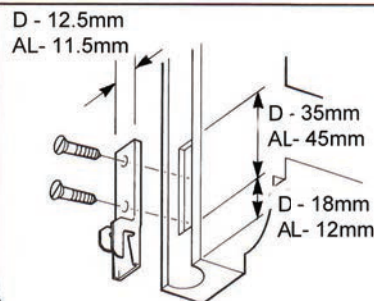
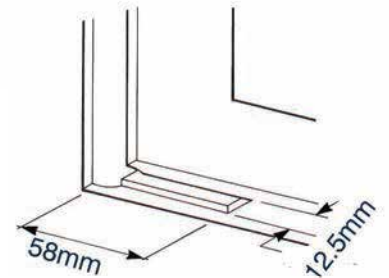
Balance Type	Dimensions	
	X	Y
D4-D6	17mm	17mm
AL20 AL30	18mm	18mm
AL40-60	20mm	20mm
AL70-AL90	22mm	22mm

**Fig. 3** Bottom rail preparation for standard foot.



**Fig. 4** Stile preparation for channel fitting.

**Fig. 5** Bottom rail preparation for standard foot - Grooved stile.



**Fig. 6** Grooved stile preparation (fix foot attachment prior to fitting sash into frame)

### Checking balances

**2** It is important that the balances used are suitable for the weight of the sash. They are manufactured in weight groups that are identified by a colour. (See Fig. 7).

#### Colour Identification

D4	RED
D6	YELLOW
AL10	WHITE
AL20	RED
AL30	BLUE
AL40	BLACK
AL50	WHITE
AL60	YELLOW

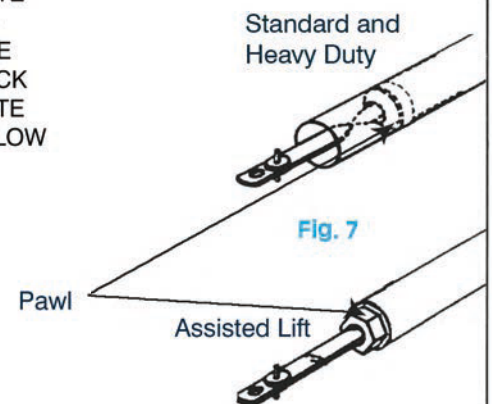


Fig. 7

**D4** Up to 13.6kg (30lb)

**D6** 13.6kg (30lb) - 18.1kg (40lb)